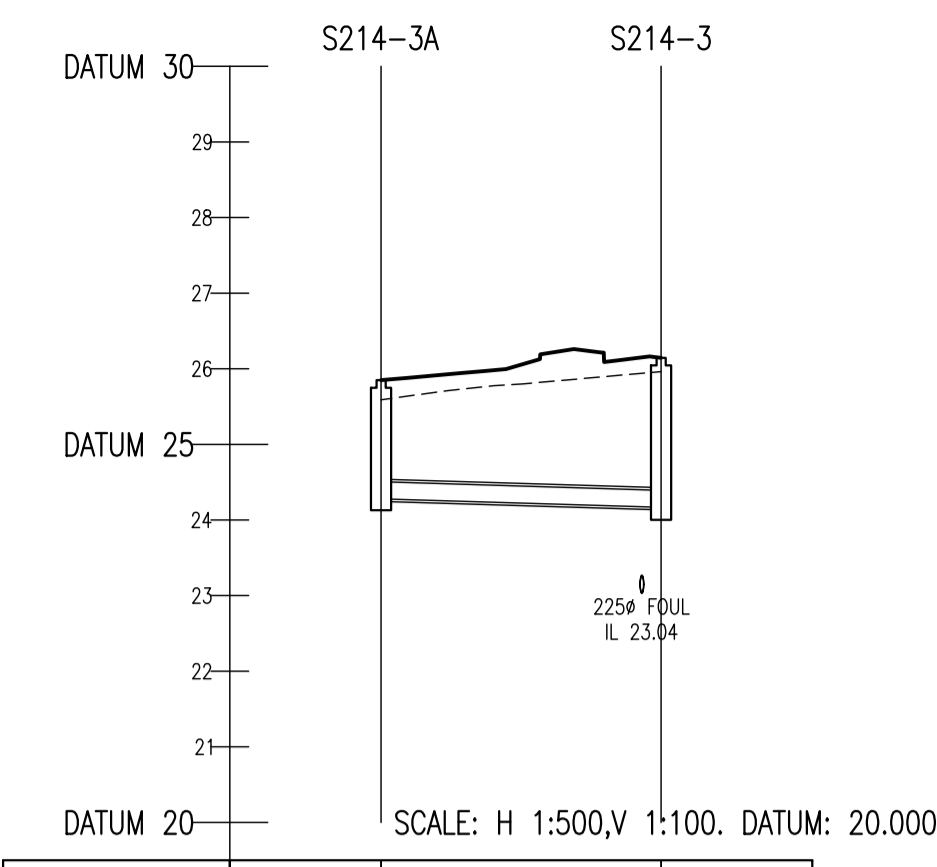
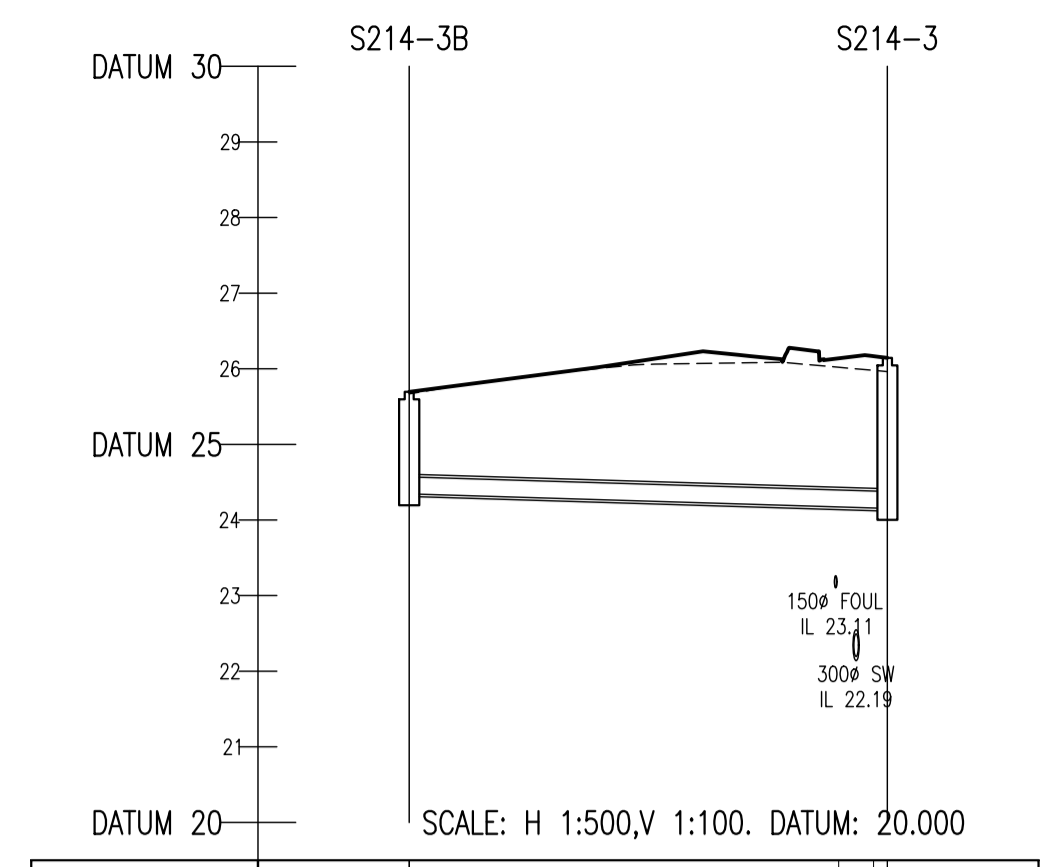


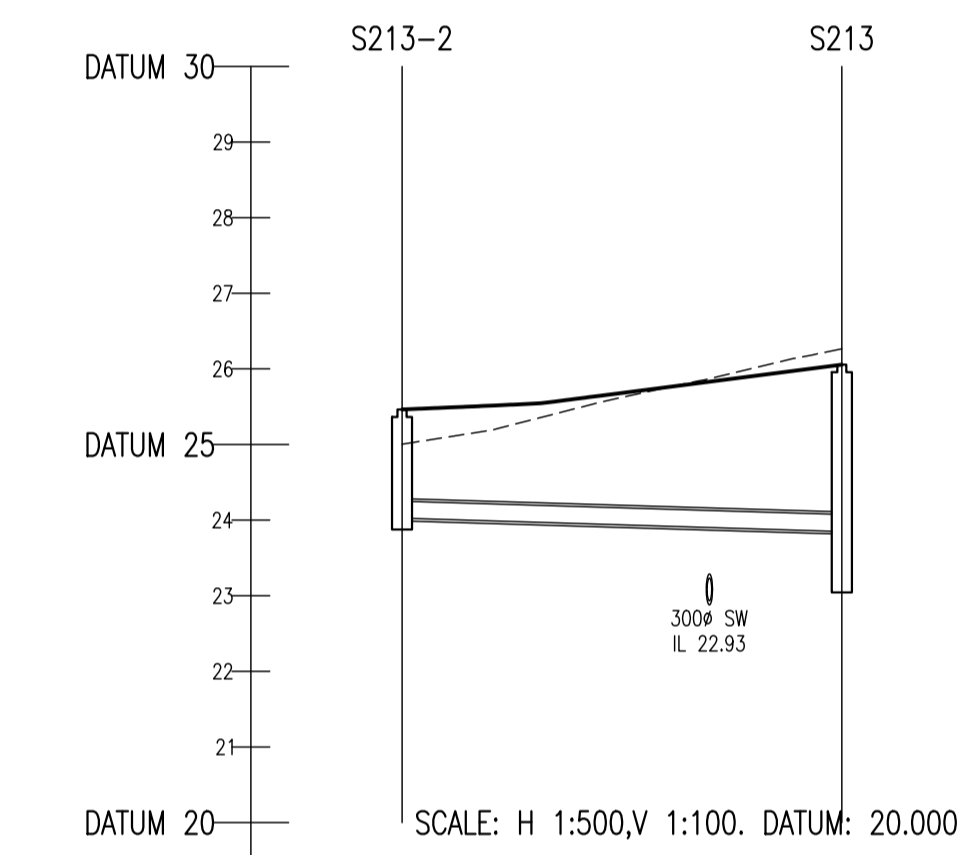
COVER LEVEL	25.921	26.144	26.457	26.752	26.772
INVERT LEVEL	24.535	24.246	24.034	23.916	23.609
DEPTH (m)	1.386	1.992	2.423	2.836	3.219
DISTANCE (m)		47.96	19.39	19.47	34.30
PIPE SLOPE		1:166	1:164	1:165	1:120
PIPE SIZE		225mm	225mm	225mm	225mm



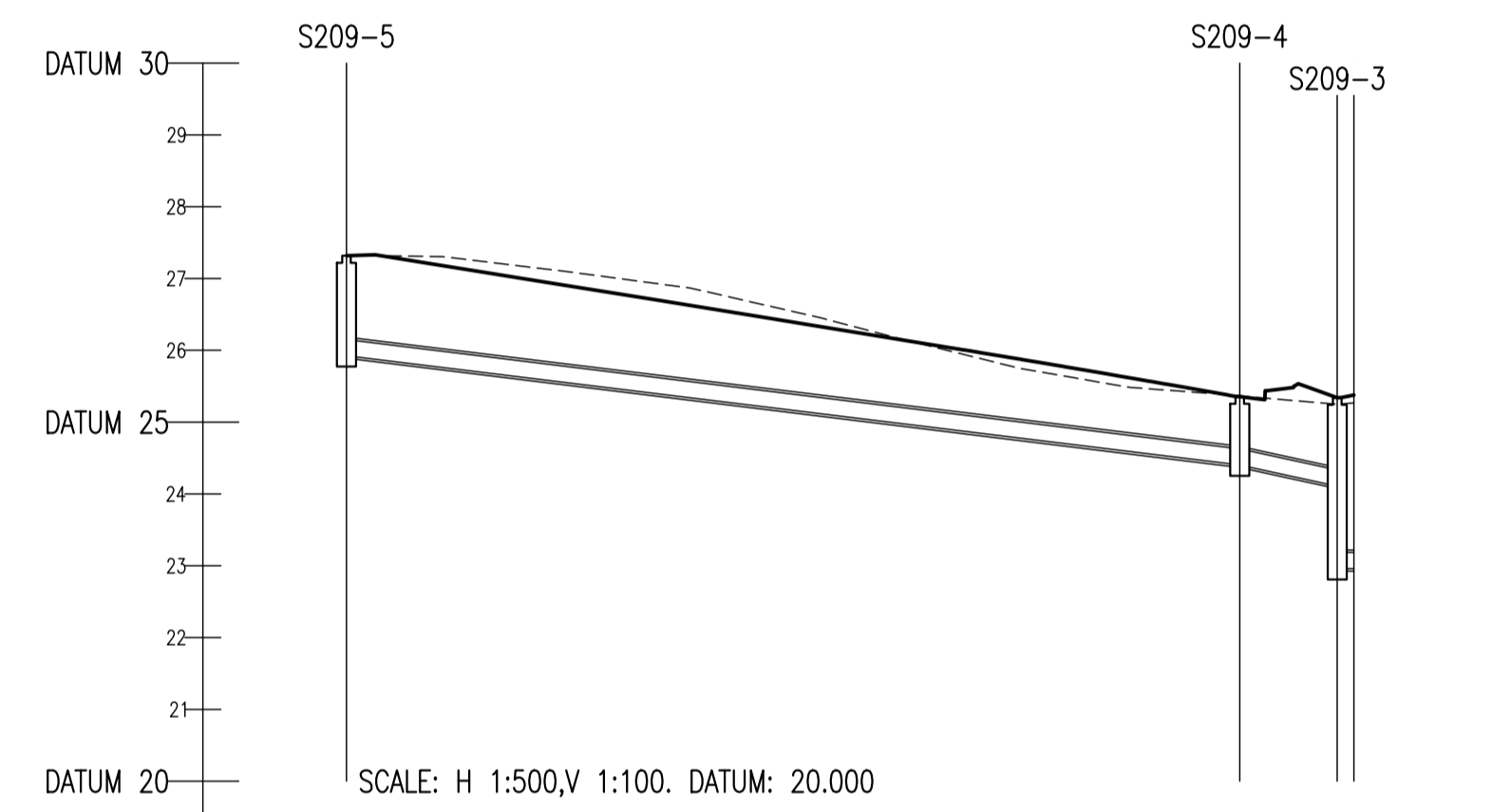
COVER LEVEL	25.849	26.144
INVERT LEVEL	24.280	24.188
DEPTH (m)	1.569	1.992
DISTANCE (m)	18.52	
PIPE SLOPE	1:165	
PIPE SIZE	225mm	



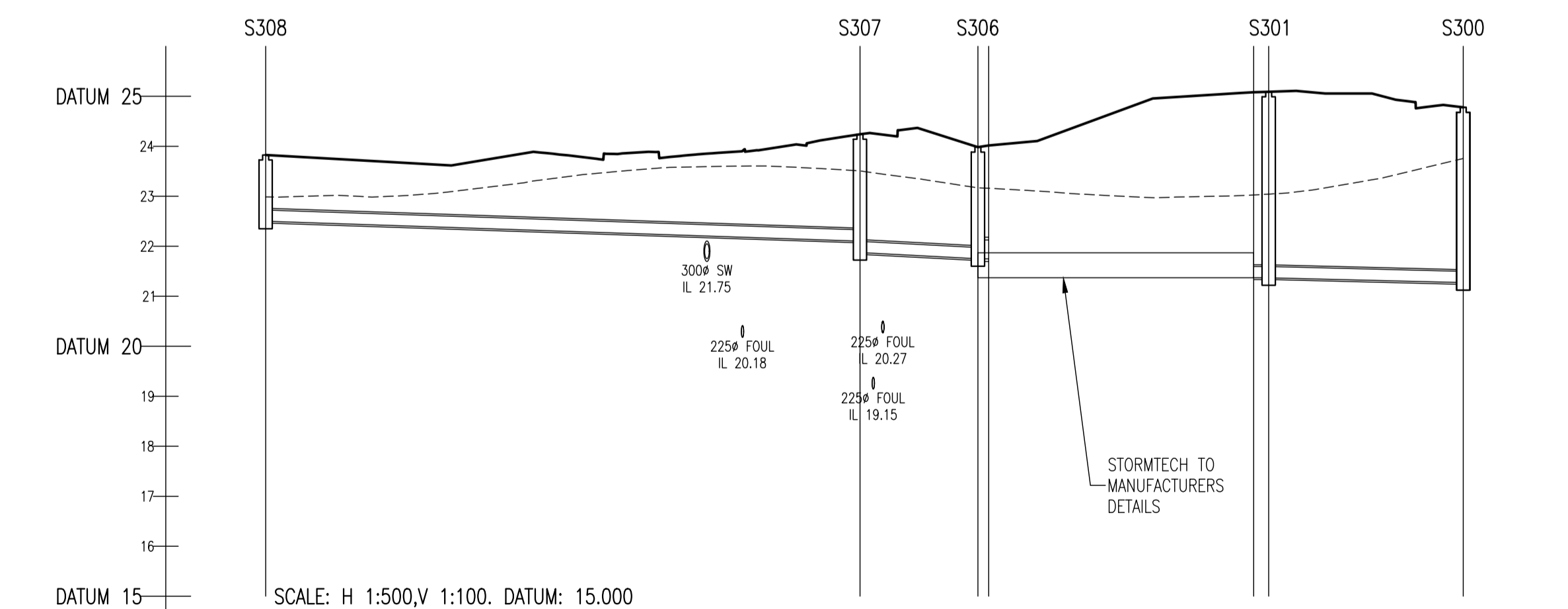
COVER LEVEL	25.685	26.144	
INVERT LEVEL	24.345	24.095	
DEPTH (m)	1.360	2.049	
DISTANCE (m)		31.63	39.32
PIPE SLOPE		1:164	1:200
PIPE SIZE		225mm	300mm



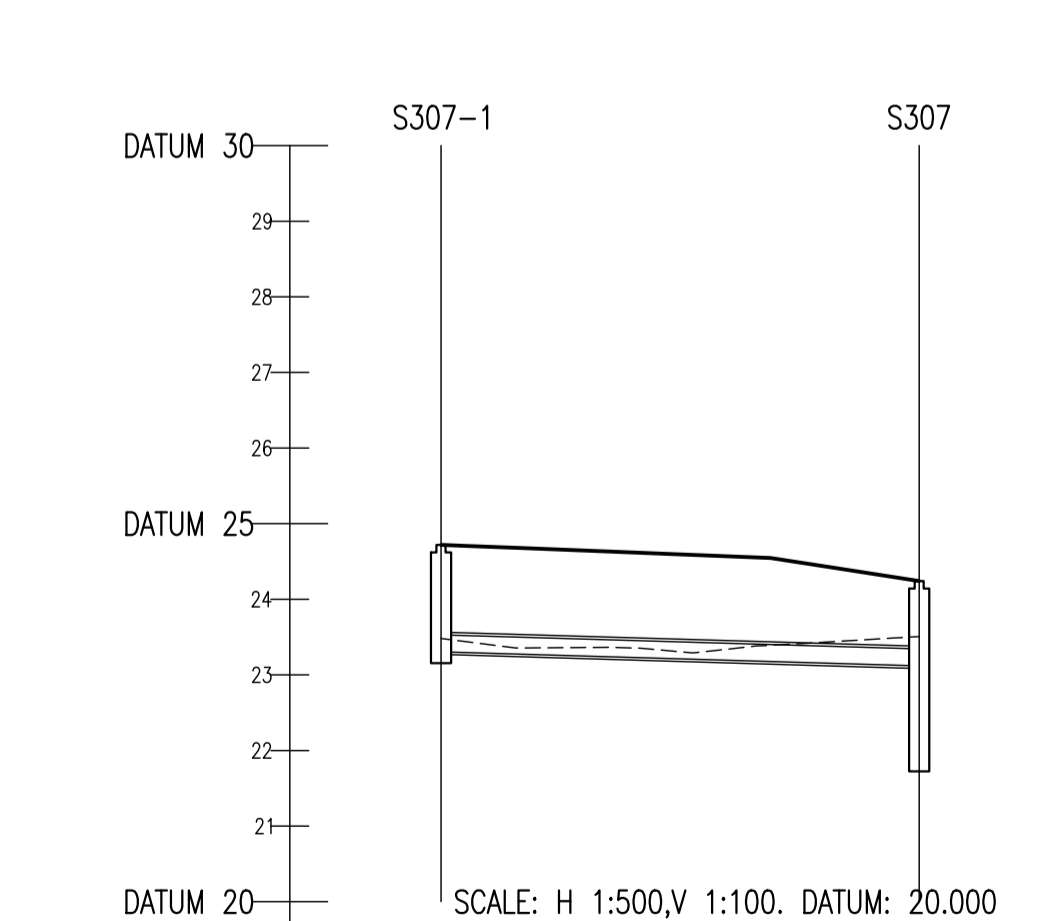
COVER LEVEL	25.464	26.056
INVERT LEVEL	24.025	23.849
DEPTH (m)	1.439	2.281
DISTANCE (m)	29.09	7.94
PIPE SLOPE	1:165	1:204
PIPE SIZE	225mm	300mm



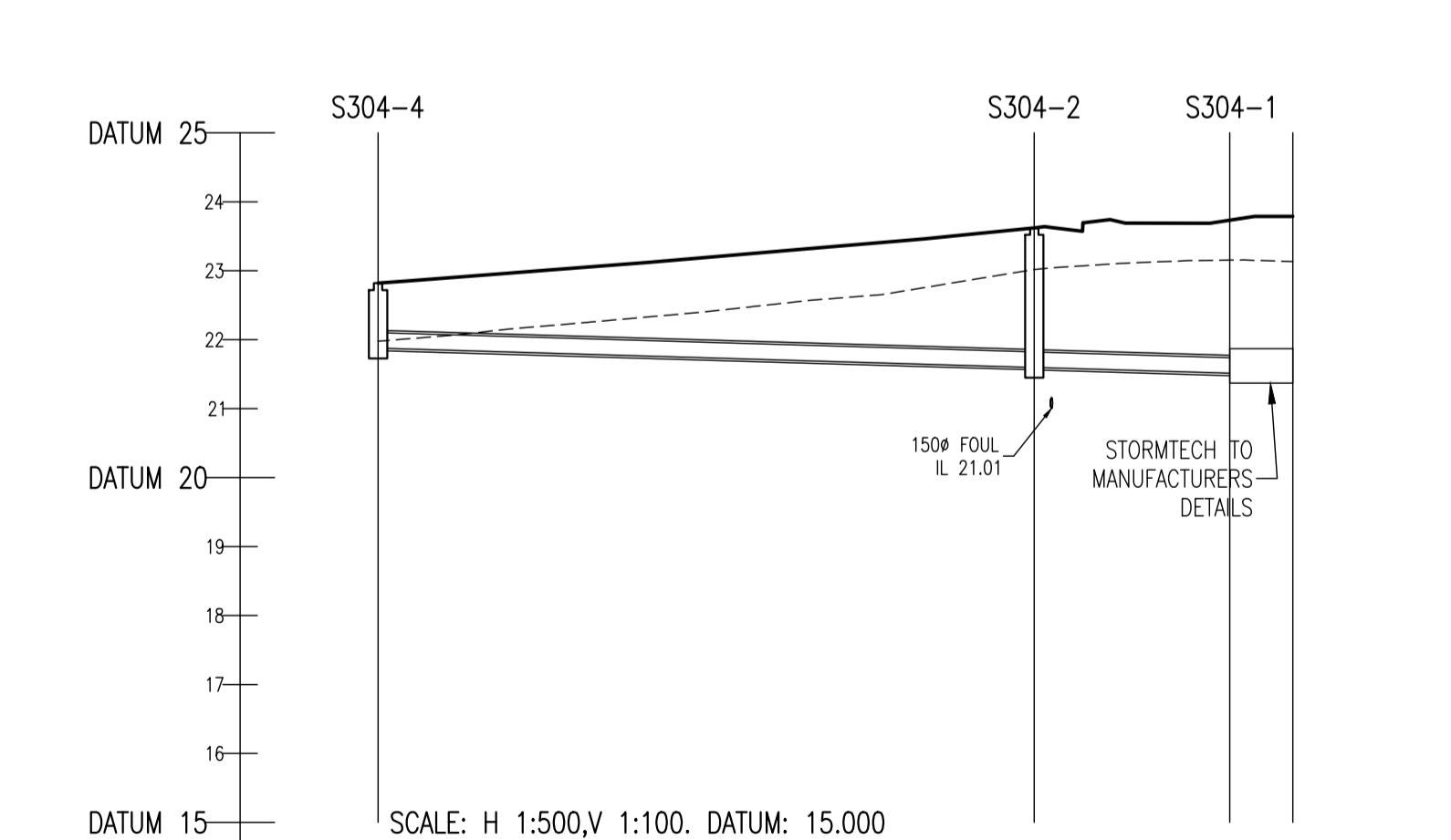
COVER LEVEL	27.118	25.356	25.341
INVERT LEVEL	25.925	24.403	24.108
DEPTH (m)	1.193	0.953	2.081
DISTANCE (m)		62.21	6.79
PIPE SLOPE		1:41	1:23
PIPE SIZE		225mm	225mm



COVER LEVEL	23.826	24.240	23.982	25.090	24.778	
INVERT LEVEL	22.500	22.103	21.874	21.750	21.273	
DEPTH (m)	1.326	2.366	2.366	3.340	3.505	
DISTANCE (m)		59.49	11.81	1.08	1.50	19.47
PIPE SLOPE		1:150	1:95	Horizontal	Horizontal	1:200
PIPE SIZE		225mm	375mm	225mm	225mm	225mm

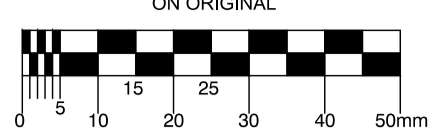


COVER LEVEL	24.719	24.240
INVERT LEVEL	23.305	23.119
DEPTH (m)	1.414	2.366
DISTANCE (m)		31.62
PIPE SLOPE		1:170
PIPE SIZE		225mm



COVER LEVEL	22.819	23.620	22.026
INVERT LEVEL	21.877	21.597	21.514
DEPTH (m)	0.942	2.023	0.560
DISTANCE (m)		47.56	14.17
PIPE SLOPE		1:170	1:170
PIPE SIZE		225mm	225mm

© COPYRIGHT OF THIS DRAWING IS RESERVED BY DBFL CONSULTING ENGINEERS. NO PART SHALL BE REPRODUCED OR TRANSMITTED WITHOUT THEIR WRITTEN PERMISSION.



- NOTES:
- ALL DRAWINGS TO BE CHECKED BY CONTRACTOR ON SITE AND ENGINEER INFORMED OF DISCREPANCIES BEFORE WORK COMMENCES
 - ALL LEVELS ARE IN METRES AND ARE RELATED TO ORDNANCE DATUM
 - CONTRACTOR SHALL SATISFY HIMSELF AS TO THE ACCURACY OF PAVEMENT LEVELS ON SITE PRIOR TO COMMENCEMENT OF WORKS ON SITE
 - ALL WORKS TO BE CONSTRUCTED IN ACCORDANCE WITH THE NRA SPECIFICATION FOR ROAD WORKS UNLESS NOTED OTHERWISE
 - THIS DRAWING IS FOR PLANNING PURPOSES ONLY
 - MANHOLE COVER LEVELS ARE TO CONFORM WITH FINISHED ROAD AND PATH LEVELS
 - WHERE COVER TO PIPE IS LESS THAN 1200mm (ROAD/PATH/VERGE) OR 900mm (OPEN SPACE) SURROUND PIPE IN MINIMUM 150mm CONCRETE

KEY
 - - - - - EXISTING GROUND PROFILE
 _____ PROPOSED GROUND PROFILE

REV.	DATE	DESCRIPTION	BY	CHKD.
PLANNING SHD STAGE 3				
DESIGNED	DMW	PREPARED	DJG	
DATE	OCT 2019	CHECKED	DJR	

Dublin Office: Ormond House, Upper Ormond Quay, Dublin 7, Ireland. PHONE +353 1 400 4000 FAX +353 1 400 4050
 Waterford Office: Unit 2, The Chandlery, 1-2 O'Connell Street, Waterford, Ireland. PHONE +353 51 308 500 FAX +353 51 844 813
 DBFL Consulting Engineers email: info@dbfl.ie site: www.dbfl.ie

PROJECT
STRATEGIC HOUSING DEVELOPMENT AT COLPE WEST, DROGHEDA, CO. MEATH

DRG. TITLE
LONGITUDINAL SECTIONS THROUGH SURFACE WATER SHEET 4

CLIENT
SHANNON HOMES DROGHEDA LTD.

SCALE	AS SHOWN @A1	FILE REF.	170092-3081
DRG. NO.	170092-3084		